



# *Hair Technology*



## Collection 2012

*VELJAVNOST OD 10/01/2012*

*CENIK*

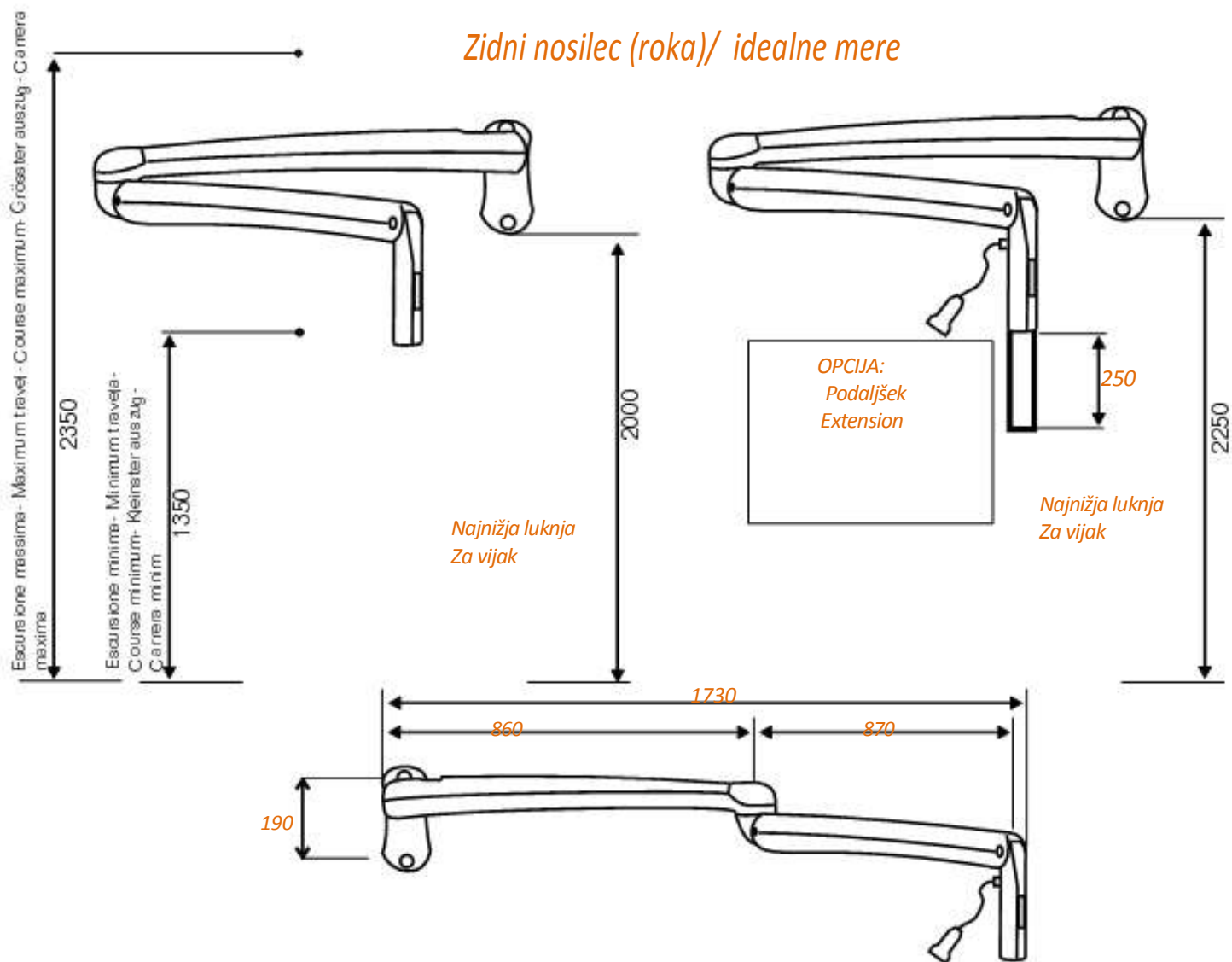
*VSE CENE SO BREZ DDV*



[youtube.com/user/agvgrouppa](https://www.youtube.com/user/agvgrouppa)



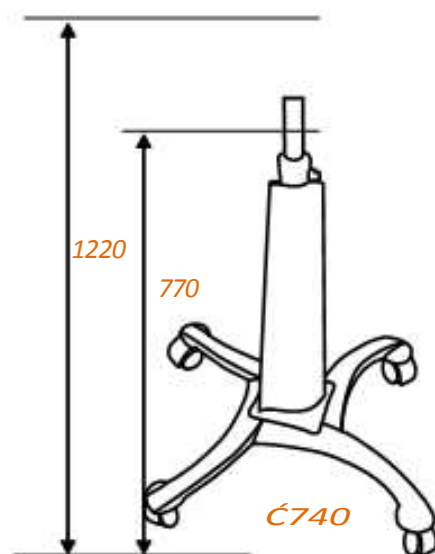
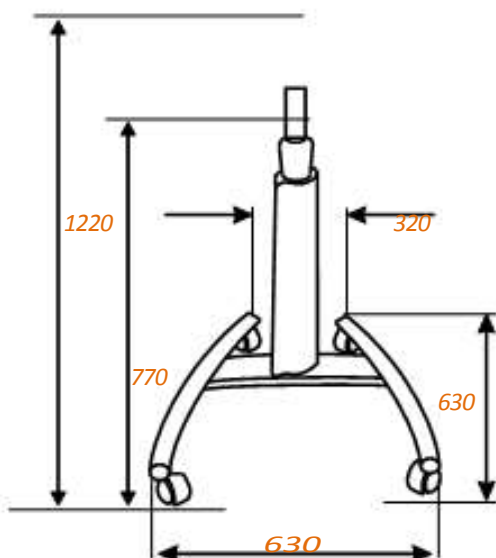
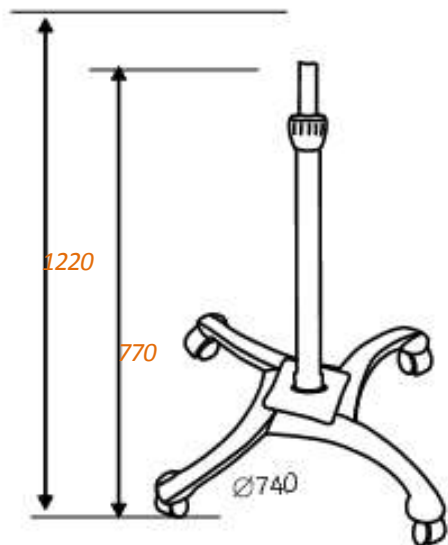
Zidni nosilec (roka)/ idealne mere



Podnožje za: Starship /Energy /Hi-speed / Heatmaster  
Beautiful / Beautivap / X-wings/  
Rekord /Teknos (Srebrno in Črno)

Podnožje standardno

Podnožje ojačano  
črno



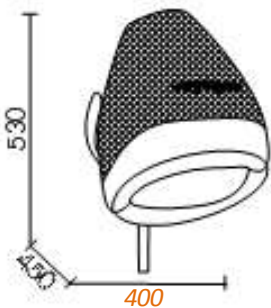
| COD. | MIS. | KG | M | Colli<br>N <sub>5</sub> | ART. | EURO |
|------|------|----|---|-------------------------|------|------|
|------|------|----|---|-------------------------|------|------|

9 01 631002 000  
9 01 631102 000  
9 01 631202 000

VOYAGER LIMITED E.D.

7,5 0,12 1 Carbon videz brez podnožja  
13 0,16 2 Carbon videz s podnožjem  
16 0,21 2 Carbon videz z zidnim nosilcem ( roko)

377,90  
469,90  
627,80



Hauba/Sušilec las  
780W - 230V - 50Hz

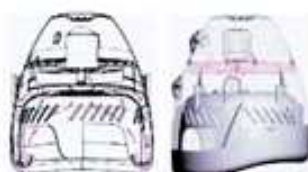
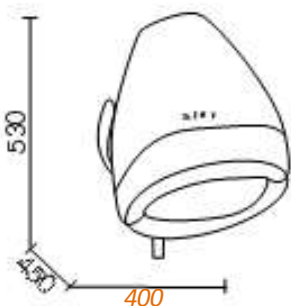
Doppia campana - aria indiretta

9 01 181003 000  
9 01 181103 000  
9 01 181203 000

STARSHIP 4V

7 0,12 1 Srebrna brez podnožja  
13 0,16 2 Srebrna z podnožjem  
16 0,21 2 Srebrna z zidnim nosilcem ( roko)

249,50  
397,50  
499,90



Hauba / Sušilec las  
780W - 230V - 50Hz

Doppia campana - aria indiretta

9 01 201002 000  
9 01 201102 000  
9 01 201202 000

TYPHOON 4V

7 0,12 1 Črna brez podnožja  
13 0,16 2 Črna s podnožjem  
16 0,21 2 Črna z zidnim nosilcem

329,30  
371,00  
579,20



Hauba / Sušilec las  
780W - 230V - 50Hz

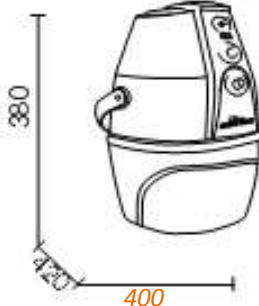
Doppia campana

9 01 141001 000  
9 01 141002 000  
9 01 141101 000  
9 01 141102 000  
9 01 141201 000  
9 01 141202 000

SONIC 2V

7,5 0,12 1 Bela brez nosilca  
7,5 0,12 1 Črna brez nosilca  
13 0,16 2 Bela z nosilcem lux  
13 0,16 2 Črna z nosilcem lux  
16 0,21 2 Bela z zidnim nosilcem ( roko)  
16 0,21 2 Črna z zidnim nosilcem ( roko)

233,50  
233,50  
325,50  
325,50  
483,40  
483,40



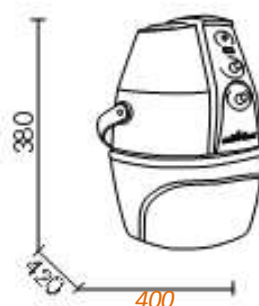
Casco/Hair dryer  
780W - 230V - 50Hz

9 01 151001 000  
9 01 151002 000  
9 01 151101 000  
9 01 151102 000  
9 01 151201 000  
9 01 151202 000

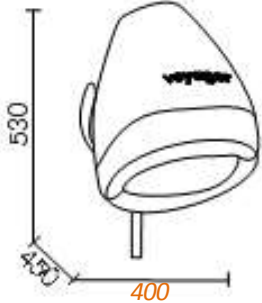

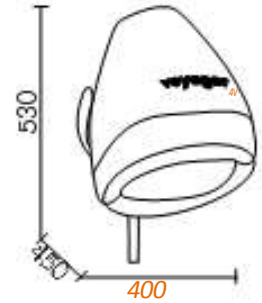





SONIC 4V

7,5 0,12 1 Bela brez nosilca  
7,5 0,12 1 Črna brez nosilca  
13 0,16 2 Bela z nosilcem lux  
13 0,16 2 Črna z nosilcem lux  
16 0,21 2 Bela z zidnim nosilcem ( roko)  
16 0,21 2 Črna z zidnim nosilcem ( roko)

264,00  
264,00  
356,00  
356,00  
513,90  
513,90



Casco/Hair dryer  
780W - 230V - 50Hz

| COD.        |      | MIS.  | KG   | M <sup>3</sup> | Colli<br>N <sup>o</sup> | ART.  | EURO                                   |
|-------------|------|---|------|----------------|-------------------------|---|--|
| 9 01 601002 | 00 0 | VOYAGER 1V  |      |                |                         | 1 Črna brez nosilca   | 202,60                                 |
| 9 01 601102 | 00 0 |   | 7    | 0,08           |                         | 1 Črna z nosilcem   | 244,30                                 |
| 9 01 601202 | 00 0 |   | 12,5 | 0,12           |                         | 2 Črna z zidnim nosilcem (roko)   | 452,50                                 |
|             |      |    | 15,5 | 0,15           |                         |   | Casco/Hair dryer<br>780W - 230V - 50Hz |
|             |      |   |      |                |                         |   | Doppia campana -Aria indiretta         |
| 9 01 621002 | 00 0 | VOYAGER 4V  | 7    | 0,08           |                         | 1 Črna brez nosilca   | 257,90                                 |
| 9 01 621102 | 00 0 |   | 12,5 | 0,12           |                         | 1 Črna z nosilcem   | 299,60                                 |
| 9 01 621202 | 00 0 |   | 15,5 | 0,15           |                         | 2 Črna z zidnim nosilcem (roko)   | 507,80                                 |
|             |      |    |      |                |                         |   | Casco/Hair dryer<br>780W - 230V - 50Hz |
|             |      |   |      |                |                         |   | Doppia campana -Aria indiretta         |
| 9 01 551001 | 00 0 | ACROBAT 1V  | 7,5  | 0,09           |                         | 1 Bela brez nosilca   | 147,70                                 |
| 9 01 551002 | 00 0 |   | 7,5  | 0,09           |                         | 1 Črna brez nosilca   | 147,70                                 |
| 9 01 551101 | 00 0 |   | 13,2 | 0,13           |                         | 1 Bela z nosilcem   | 189,40                                 |
| 9 01 551102 | 00 0 |   | 13,2 | 0,13           |                         | 1 Črna z nosilcem   | 189,40                                 |
| 9 01 551201 | 00 0 |   | 16,2 | 0,16           |                         | 2 Bela z zidnim nosilcem (roko)   | 397,60                                 |
| 9 01 551202 | 00 0 |   | 16,2 | 0,16           |                         | 2 Črna z zidnim nosilcem (roko)   | 397,60                                 |
|             |      |  |      |                |                         |   | Casco/Hair dryer<br>780W - 230V - 50Hz |
| 9 01 561001 | 00 0 | ACROBAT 2V  | 7,5  | 0,09           |                         | 1 Bela brez nosilca   | 178,20                                 |
| 9 01 561002 | 00 0 |   | 7,5  | 0,09           |                         | 1 Črna brez nosilca   | 178,20                                 |
| 9 01 561101 | 00 0 |   | 13,2 | 0,13           |                         | 1 Bela z nosilcem   | 219,90                                 |
| 9 01 561102 | 00 0 |   | 13,2 | 0,13           |                         | 1 Črna z nosilcem   | 219,90                                 |
| 9 01 561201 | 00 0 |   | 16,2 | 0,16           |                         | 2 Bela z zidnim nosilcem (roko)   | 428,10                                 |
| 9 01 561202 | 00 0 |   | 16,2 | 0,16           |                         | 2 Črna z zidnim nosilcem (roko)   | 428,10                                 |
|             |      |  |      |                |                         |   | Casco/Hair dryer<br>780W - 230V - 50Hz |
|             |      |   |      |                |                         |  |  |
| 9 01 571001 | 00 0 | ACROBAT 4V  | 7,5  | 0,09           |                         | 1 Bela brez nosilca   | 205,50                                 |
| 9 01 571002 | 00 0 |   | 7,5  | 0,09           |                         | 1 Črna brez nosilca   | 205,50                                 |
| 9 01 571101 | 00 0 |   | 13,2 | 0,13           |                         | 1 Bela z nosilcem   | 247,20                                 |
| 9 01 571102 | 00 0 |   | 13,2 | 0,13           |                         | 1 Črna z nosilcem   | 247,20                                 |
| 9 01 571201 | 00 0 |   | 16,2 | 0,16           |                         | 2 Bela z zidnim nosilcem (roko)   | 455,40                                 |
| 9 01 571202 | 00 0 |   | 16,2 | 0,16           |                         | 2 Črna z zidnim nosilcem (roko)   | 455,40                                 |
|             |      |  |      |                |                         |   | Casco/Hair dryer<br>780W - 230V - 50Hz |

| COD.        | MIS. | KG | M <sub>3</sub> | Colli N <sub>5</sub> | ART.                          | EURO   |
|-------------|------|----|----------------|----------------------|-------------------------------|--------|
| 9 01 501001 | 00 0 |    |                |                      | Bela brez nosilca             | 148,20 |
| 9 01 501002 | 00 0 |    |                |                      | Črna brez nosilca             | 148,20 |
| 9 01 501101 | 00 0 |    |                |                      | Bela z nosilcem               | 189,90 |
| 9 01 501102 | 00 0 |    |                |                      | Črna z nosilcem               | 189,90 |
| 9 01 501201 | 00 0 |    |                |                      | Bela z zidnim nosilcem (roko) | 398,10 |
| 9 01 501202 | 00 0 |    |                |                      | Črna z zidnim nosilcem (roko) | 398,10 |



**Prenovljeno!**

Casco/Hair dryer  
780W - 230V - 50Hz

|             |      |  |  |  |                               |        |
|-------------|------|--|--|--|-------------------------------|--------|
| 9 01 521001 | 00 0 |  |  |  | Bela brez nosilca             | 207,10 |
| 9 01 521002 | 00 0 |  |  |  | Črna brez nosilca             | 207,10 |
| 9 01 521101 | 00 0 |  |  |  | Bela z nosilcem               | 248,80 |
| 9 01 521102 | 00 0 |  |  |  | Črna z nosilcem               | 248,80 |
| 9 01 521201 | 00 0 |  |  |  | Bela z zidnim nosilcem (roko) | 457,00 |
| 9 01 521202 | 00 0 |  |  |  | Črna z zidnim nosilcem (roko) | 457,00 |



**Prenovljeno!**

Casco/Hair dryer  
780W - 230V - 50Hz

|             |      |  |  |  |                                      |          |
|-------------|------|--|--|--|--------------------------------------|----------|
| 9 02 031003 | 00 0 |  |  |  | Brez nosilca ozono ozono             | 1.920,00 |
| 9 02 031103 | 00 0 |  |  |  | Z nosilcem ozono ozono               | 2.068,00 |
| 9 02 031203 | 00 0 |  |  |  | z zidnim nosilcem (roko) ozono ozono | 2.385,00 |



- Incluso nel prezzo N°1 personal card
- Prices including N°1 personal card
- El precio incluye N°1 personal card
- Inclus dans le prix N°1 personal card
- N°1 personal card im preis imbegriffen

1280W - 230V - 50Hz

Personal-card



430270001

Personal card

cadauna:

7,28

|             |      |  |  |  |                          |          |
|-------------|------|--|--|--|--------------------------|----------|
| 9 02 021005 | 00 0 |  |  |  | Brez nosilca             | 1.179,00 |
| 9 02 021105 | 00 0 |  |  |  | Z nosilcem               | 1.327,00 |
| 9 02 021205 | 00 0 |  |  |  | z zidnim nosilcem (roko) | 1.644,00 |

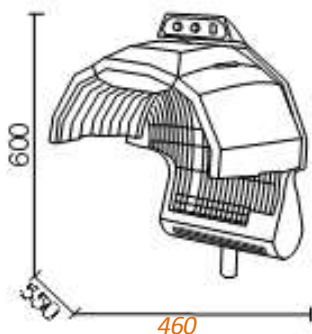


1280W - 230V - 50Hz



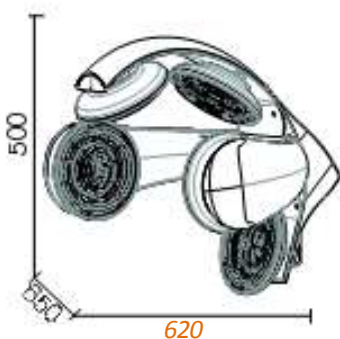
| COD. | MIS. | KG | M <sup>3</sup> | Colli<br>N <sup>o</sup> | ART. | EURO |
|------|------|----|----------------|-------------------------|------|------|
|------|------|----|----------------|-------------------------|------|------|

|             |     |      |      |   |                                  |          |
|-------------|-----|------|------|---|----------------------------------|----------|
| 9 02 311005 | 000 | 13,1 | 0,22 | 1 | Digital brez nosilca             | 1.187,00 |
| 9 02 311105 | 000 | 18,6 | 0,28 | 2 | Digital z nosilcem               | 1.335,00 |
| 9 02 311205 | 000 | 21,1 | 0,26 | 2 | Digital z zidnim nosilcem (roko) | 1.652,00 |



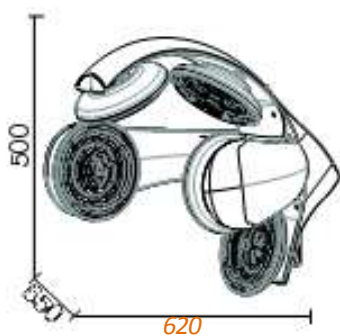
1650W - 230V - 50Hz

|             |     |    |      |   |  |          |
|-------------|-----|----|------|---|--|----------|
| 9 02 041010 | 000 | 12 | 0,31 | 1 | Srebrn/ Antracite brez nosilca             | 1.171,00 |
| 9 02 041110 | 000 | 20 | 0,37 | 2 | Srebrn/ Antracite z nosilcem               | 1.319,00 |
| 9 02 041210 | 000 | 20 | 0,36 | 2 | Srebrn/ Antracite z zidnim nosilcem (roko) | 1.636,00 |



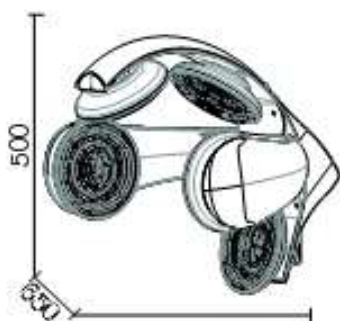
1100W - 230V - 50Hz

|             |     |    |      |   |   |          |
|-------------|-----|----|------|---|---|----------|
| 9 02 041012 | 000 | 12 | 0,31 | 1 | Srebrn/ Bronzo brez nosilca             | 1.301,00 |
| 9 02 041112 | 000 | 20 | 0,37 | 2 | Srebrn/ Bronzo z nosilcem               | 1.449,00 |
| 9 02 041212 | 000 | 20 | 0,36 | 2 | Srebrn/ Bronzo z zidnim nosilcem (roko) | 1.766,00 |



1100W - 230V - 50Hz

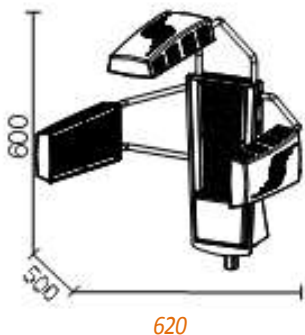
|             |     |    |      |   |  |          |
|-------------|-----|----|------|---|--|----------|
| 9 02 041011 | 000 | 13 | 0,34 | 1 | Srebrn/ Rosso brez nosilca             | 1.301,00 |
| 9 02 041111 | 000 | 17 | 0,41 | 2 | Srebrn/ Rosso z nosilcem               | 1.449,00 |
| 9 02 041211 | 000 | 25 | 0,39 | 2 | Srebrn/ Rosso z zidnim nosilcem (roko) | 1.766,00 |



1100W - 230V - 50Hz

| COD. | MIS. | KG | M | Colli<br>N <sub>5</sub> | ART. | EURO |
|------|------|----|---|-------------------------|------|------|
|------|------|----|---|-------------------------|------|------|

|             |     |    |      |   |                                 |        |
|-------------|-----|----|------|---|---------------------------------|--------|
| 9 02 401002 | 000 | 10 | 0,24 | 1 | Srebrn brez nosilca             | 478,30 |
| 9 02 401102 | 000 | 15 | 0,24 | 1 | Srebrn z nosilcem               | 520,00 |
| 9 02 401202 | 000 | 18 | 0,27 | 2 | Srebrn z zidnim nosilcem (roko) | 728,20 |



880W - 230V - 50Hz



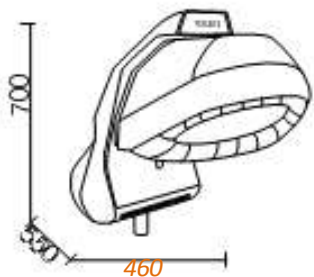
|             |     |    |      |   |                                 |          |
|-------------|-----|----|------|---|---------------------------------|----------|
| 9 02 201003 | 000 | 10 | 0,24 | 1 | Srebrn brez nosilca             | 929,00   |
| 9 02 201103 | 000 | 15 | 0,24 | 1 | Srebrn z nosilcem               | 989,00   |
| 9 02 201203 | 000 | 18 | 0,27 | 2 | Srebrn z zidnim nosilcem (roko) | 1.178,90 |



1110W- 230V - 50Hz



|             |     |      |      |   |                                       |          |
|-------------|-----|------|------|---|---------------------------------------|----------|
| 9 03 321003 | 000 | 10,7 | 0,22 | 1 | Srebrn brez nosilca ozono             | 1.610,00 |
| 9 03 321103 | 000 | 16,2 | 0,28 | 2 | Srebrn z nosilcem ozono               | 1.758,00 |
| 9 03 321203 | 000 | 18,2 | 0,26 | 2 | Srebrn z zidnim nosilcem (roko) ozono | 2.075,00 |



- Incluso nel prezzo N°1 personal card
- Prices including N°1 personal card
- El precio include N°1 personal card
- Inclus dans le prix N°1 personal card
- N°1 personal card im preis imbegriffen

Vaporizzatore

Steamer

415W - 230V - 50Hz

|             |     |      |      |   |  |          |
|-------------|-----|------|------|---|--|----------|
| 9 03 311005 | 000 | 11,6 | 0,22 | 1 | Digital brez nosilca ozono             | 1.115,80 |
| 9 03 311105 | 000 | 17,1 | 0,28 | 2 | Digital z nosilcem ozono               | 1.263,80 |
| 9 03 311205 | 000 | 19,3 | 0,26 | 2 | Digital z zidnim nosilcem (roko) ozono | 1.580,80 |



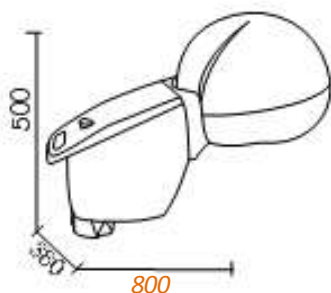
Vaporizzatore

Steamer

415W - 230V - 50Hz

| COD. | MIS. | KG | M | Colli<br>N <sub>5</sub> | ART. | EURO |
|------|------|----|---|-------------------------|------|------|
|------|------|----|---|-------------------------|------|------|

|             |      |  |  |  |  |        |
|-------------|------|--|--|--|--|--------|
| 9 03 551005 | 00 0 |  |  |  | 1 Antracite brez nosilca ozono             | 568,90 |
| 9 03 551105 | 00 0 |  |  |  | 1 Antracite z nosilcem ozono               | 610,60 |
| 9 03 551205 | 00 0 |  |  |  | 2 Antracite z zidnim nosilcem (roko) ozono | 846,90 |



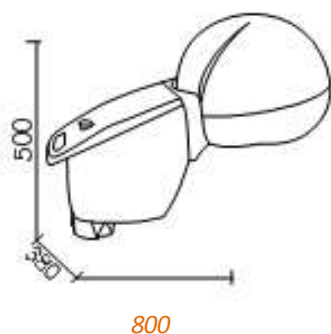
#### OPTIONAL

|                          |                           |       |
|--------------------------|---------------------------|-------|
| <input type="checkbox"/> | Diffusore vapore per viso | 34,44 |
| <input type="checkbox"/> | Face diffuser.            |       |
| <input type="checkbox"/> | Diffuseur pour le vis.    |       |
| <input type="checkbox"/> | Gesichtdiffusor.          |       |
| <input type="checkbox"/> | Difusor facial.           |       |

#### Vaporizzatore Steamer

500W - 230V - 50Hz

|             |      |  |  |  |                                      |        |
|-------------|------|--|--|--|--------------------------------------|--------|
| 9 03 561005 | 00 0 |  |  |  | 1 Antracite brez nosilca             | 299,80 |
| 9 03 561105 | 00 0 |  |  |  | 1 Antracite z nosilcem               | 341,50 |
| 9 03 561205 | 00 0 |  |  |  | 2 Antracite z zidnim nosilcem (roko) | 577,80 |



#### OPTIONAL

|                          |                           |       |
|--------------------------|---------------------------|-------|
| <input type="checkbox"/> | Diffusore vapore per viso | 34,44 |
| <input type="checkbox"/> | Face diffuser.            |       |
| <input type="checkbox"/> | Diffuseur pour le vis.    |       |
| <input type="checkbox"/> | Gesichtdiffusor.          |       |
| <input type="checkbox"/> | Difusor facial.           |       |

#### Vaporizzatore Steamer

500W - 230V - 50Hz

#### OPTIONAL - OPTIONALS

Beautiful-Wings-Teknos-Hi speed

350283052: Prolunga contatto rotante braccio server.

129,05

Typhoon - Voyager - Sonic 2V 4V-Starship - Basic - Acrobat - Atomix - Syncro - Heatmaster - Rekord

350281052: Prolunga con spina per braccio Server.

53,20

Beautivap - Energy

350284052: Prolunga contatto rotante + terra braccio server.

129,05



Typhoon - Sonic - Voyager - Beautivap - Beautiful - Teknos - Basic - Sonic - Acrobat - Voyager - Atomix  
COLORI-COLOURS-COLEURS-FARBEN-COLOURS

- Braccio colore antracite, base colore nero con tubo cromato.
- Anthracite arm, black base with chromed pipe.
- Bras couleur anthracite, base couleur noir avec le tube chromatisé.
- Wandarm in farbe anthrazit, schwarze basis mit verchromtem rohr.
- Brazo col antracita, base col negro con tubo cromado.



Energy - XWings - Starship - Hi speed - Heatmaster - Rekord  
COLORI-COLOURS-COLEURS-FARBEN-COLOURS

- Braccio colore Srebrn, base colore grigio con tubo cromato.
- Wall arm in silver color, grey base and chrome stand.
- Bras couleur argent, base couleur grise, avec tube chrome.
- Brazo color plata, pie color gris con tubo cromado.
- Wandarm SILBER, gesteu grau mit verchromten romr.



| COD. | MIS. | KG | M <sub>3</sub> | Colli<br>N <sub>5</sub> | ART. | EURO |
|------|------|----|----------------|-------------------------|------|------|
|------|------|----|----------------|-------------------------|------|------|

9 602211 01 000 PALLINO 2,5 0,01 1 Sterilizador kvarčni. 113,80



- Bianco
- White.
- Blanc.
- Weiß.
- Blanco.

Sterilizzatore / Sterilizer / 100W - 230V - 50Hz

9 600701 03 003 PIXEL 2,2 0,01 1 Sterilizador kvarčni. 93,00



- Bianco
- White.
- Blanc.
- Weiß.
- Blanco.

Sterilizzatore / Sterilizer / 100W - 230V - 50Hz

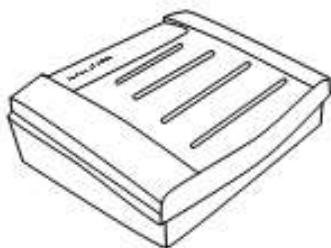
9 600801 03 003 PIXEL PLUS 2,2 0,01 1 Sterilizador kvarčni. 115,90



- Bianco
- White.
- Blanc.
- Weiß.
- Blanco.

Sterilizzatore / Sterilizer / 100W - 230V - 50Hz

9 602110 01 000 ALADIN 3,5 0,03 1 Germicida U.V. 92,00



- Bianco
- White.
- Blanc.
- Weiß.
- Blanco.

Sterilizzatore / Sterilizer / 13W - 230V - 50Hz

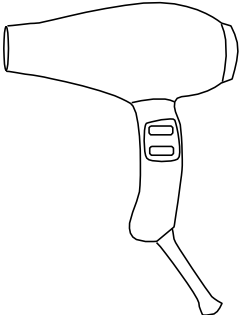
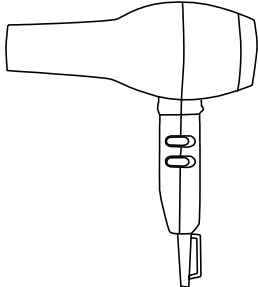
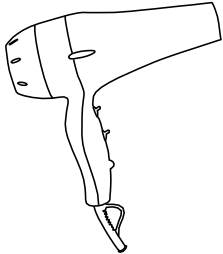


9 600901 03 000 SENSOR 2,5 0,04 1 Germicida U.V. 92,90



- Bianco
- White.
- Blanc.
- Weiß.
- Blanco.

Sterilizzatore / Sterilizer / 13W - 230V - 50Hz

ASCIUGACAPELLI  
SUŠILCI ZA LAŠE - FENI

| COD.            | MIS.  | KG  | M <sup>3</sup> | Colli<br>N <sup>5</sup> | ART.   | EURO   |
|-----------------|---|-----|----------------|-------------------------|--|--------|
| 9 667102 01 000 | KOMPAK  |     |                |                         | Asciugacapelli color nero<br>230V 2200W 50Hz                         | 59,95  |
|                 |    |     |                |                         | Quantità minima ordinabile 6Pz.<br>Minimum purchasing quantity 6Pcs. |        |
| 9 667002 01 000 |   | 5,8 | 0,04           | 1                       | Set 6 Pz. Asciugacapelli Col. Nero                                   | 359,70 |
| 9 666005 01 000 | KAPPA   |     |                |                         | Asciugacapelli color antracite<br>230V 1300W 50Hz                    | 29,90  |
|                 |   |     |                |                         | Quantità minima ordinabile 6Pz.<br>Minimum purchasing quantity 6Pcs. |        |
| 9 666105 01 000 |   | 5,8 | 0,04           | 1                       | Set 6 Pz. Asciugacapelli Col. Nero                                   | 179,40 |
| 9 662702 01 000 | BLISS2000   |     |                |                         | Asciugacapelli color nero /cromo BLISS2000<br>230V 2000W 50Hz        | 43,90  |
|                 |  |     |                |                         | Quantità minima ordinabile 6Pz.<br>Minimum purchasing quantity 6Pcs. |        |
| 9 662802 01 000 |   | 5,8 | 0,04           | 1                       | Set 6 Pz. Asciugacapelli Col. Nero                                   | 263,40 |
| 9 669002 00 000 |   |     |                |                         | Diffusore volumizzante col. Nero                                     | 5,90   |
|                 |  |     |                |                         |  |        |
| 9 669102 00 000 |   |     |                |                         | Diffusore universale col. Nero                                       | 7,80   |
|                 |  |     |                |                         |  |        |

## 1. Definitions

The Customer: the individual or corporation acting in performance of their own business, commercial, craft respectively, or professional activities, or their agent, who purchases the Products sold and manufactured by AGVGROUPO SpA.

AGVGROUPO SpA: the company with registered office in Via Contarella 17, 42019 Scandiano (RE) - Italy, which sells the Products.

Order Confirmation: written notice of confirmation of the product ordered, sent to the Customer of or products liable to damage them;

Price: the one indicated on the order confirmation.

Product: the one indicated on the order confirmation. The product characteristics illustrated in the way of example only: blows, scratches, dents, cuts, stains caused by external factors, such as dyes, catalogue are not binding. We reserve the right to make all changes we consider appropriate, without any lacquers and cleaning products;

Contract: the one concluded between AGVGROUPO SpA and the customer through exchange of the order and order confirmation, governed by these general terms of sale and warranty.

## 2. Efficacy

This Contract is applied to this sale and all subsequent ones between AGVGROUPO SpA and the Customer, without prejudice to subsequent signing of other and different terms of sale and warranty. Sending of an order implies acceptance of the Contract.

## 3. Orders

Orders are accepted solely and exclusively in writing (e-mail and fax are the same) and become binding for the Customer. The order confirmation must be checked immediately by the Customer (within and no later than 24 hours of receipt), who must immediately notify AGVGROUPO SpA in writing of any error found.

Failing this, after 3 working days, the indications contained in the order confirmation will be applied to the product.

## Contract.

An order will NOT be accepted unless it is accompanied by these general terms of sale and warranty signed by the Customer. Subsequent orders, accepted and confirmed by AGVGROUPO SpA through the order confirmation, remain subject to this contract.

## 4. Price and payment terms

The estimates of AGVGROUPO SpA are only valid if prepared in writing and for the period indicated in them. The Price includes exclusively the goods and services listed and must be intended as net of VAT. Payment of an original manufacturing defect. The cleaning process for synthetic upholstery (SKAY/VINYL) requires use of soapy water to be distributed using a sponge or damp cloth. Chemical products may irreparably damage synthetic upholstery, as may use of cleaning equipment which is too hard or rough. AgvGroup is payment has been agreed, or of all other previous transactions in which the Customer is late with not liable for damages caused by use of these products or equipment. Padded articles may be covered with material supplied by the Customer. We do not guarantee the quality of the finish if the material is supplied by

AGVGROUPO SpA may suspend delivery or fulfilment of the order until payment has taken place, if prior payment has been agreed, or of all other previous transactions in which the Customer is late with not liable for damages caused by use of these products or equipment. Padded articles may be covered with material supplied by the Customer. We do not guarantee the quality of the finish if the material is supplied by

The Customer hereby waives any exception of offsetting between the sums due from it to AGVGROUPO SpA the Customer.

and any other sum for which it is or claims to be a creditor, for any reason, even if liquid and collectable, and even if not disputed and legally collectable.

In the case of late payment, the Customer must pay the interest indicated in Legislative Decree no. 231/2002 on the sum still due, and also the costs for recovery thereof, without the need for formal placing in arrears.

## 5. Delivery / Title / Risk

The delivery time indicated in the order confirmation is indicative. Partial deliveries are permitted. The place of delivery is indicated in the order confirmation. The goods travel at the exclusive risk and danger of the purchaser, even when sold carriage free.

Transfer of ownership of the product only occurs on payment of the full price. Without prejudice to what is indicated in Article 1525 of the Italian Civil Code, AGVGROUPO SpA may (without any liability with the Customer) re-enter into possession of the Product.

AGVGROUPO SpA may take legal action to obtain the price, including before transfer of ownership. If the Customer refuses the delivery without prior agreement with AGVGROUPO SpA, it will be liable for all costs or losses sustained by AGVGROUPO SpA due to said refusal, including the costs of storage until acceptance of the delivery.

## 6. Acceptance

On delivery of the Product, the Customer must check and inspect it, and, if necessary, refuse it or indicate changes in voltage which exceed the limits indicated by CE regulations (220/240V, 50Hz, +/- 10%). defects at the moment of delivery. On expiry of this deadline, the product will be considered as accepted by the Customer. If AGVGROUPO SpA allows return of the product, in exceptional conditions and at its own discretion, this must be returned in its original conditions, with the relative packaging, with a note of return and with the relative proof of purchase; the costs of return will always be paid by the Customer.

AGVGROUPO SpA will not be held in any way liable for direct or consequential damages or consequential components indicated in this paragraph and, where deviations from said specifications are found, is losses in the case of non-functioning or poor functioning of the products, for loss of business, profits, required to notify AGVGROUPO SpA within 8 days of receipt of the goods; failing this, the Customer forfeits salaries, fees, savings, without prejudice to legal warranties or anything contemplated in these general terms of sale.

AGVGROUPO SpA will equally not be held liable for damages caused during installation of the products to be used, but which are the consequence of traumatic facts or events for the product, such as, by way of floors, furniture, household furnishings, furnishings and anything else present on the premises, with the Customer acknowledging that it has the precise contractual obligation of arranging prior protection or moving them.

The Customer acknowledges that they have been informed beforehand by AGVGROUPO SpA of the interventions necessary for installation of the Products, particularly the methods and characteristics thereof.

AGVGROUPO SpA will not be held liable for any delay in fulfilment of its obligations (included late delivery) if said circumstances beyond its reasonable control and will be entitled to an extension for Washbasins and sinks: fulfillment; examples of force majeure include strikes, problems relating to supply/transport/manufacturing of finished and/or semi-finished products, exchange rate fluctuations, government actions or regulatory actions, natural catastrophes.

If the event of force majeure persists for a period exceeding 2 months, each of the Parties will be entitled to withdraw from the Contract, without any compensation being due to the other party.

AGVGROUPO SpA will not be held liable for any delay in fulfilment of its obligations (included late delivery) if said circumstances beyond its reasonable control and will be entitled to an extension for Washbasins and sinks: fulfillment; examples of force majeure include strikes, problems relating to supply/transport/manufacturing of finished and/or semi-finished products, exchange rate fluctuations, government actions or regulatory actions, natural catastrophes.

If the event of force majeure persists for a period exceeding 2 months, each of the Parties will be entitled to withdraw from the Contract, without any compensation being due to the other party.

AGVGROUPO SpA will not be held liable for any delay in fulfilment of its obligations (included late delivery) if said circumstances beyond its reasonable control and will be entitled to an extension for Washbasins and sinks: fulfillment; examples of force majeure include strikes, problems relating to supply/transport/manufacturing of finished and/or semi-finished products, exchange rate fluctuations, government actions or regulatory actions, natural catastrophes.

If the event of force majeure persists for a period exceeding 2 months, each of the Parties will be entitled to withdraw from the Contract, without any compensation being due to the other party.

## 9. Protection of Personal Data

The personal data of the Customer will be processed, kept and/or communicated according to law and the Customer hereby agrees to this in accordance with and under the effects of regulations on Privacy. The Customer may exercise their right of access, correction, deletion and blocking of processing of their data by sending a registered letter to AGVGROUPO SpA.

The Customer may require AGVGROUPO SpA not to use their data for purposes of marketing.

## 10. WARRANTY

## 10.1 Area of application

This warranty is destined for Customers operating in their own professional activities, as per the definition in article 1.

The sales indicated in these general terms relate to PRODUCTS NOT DESTINED FOR CONSUMERS, as identified in article 3 of Legislative Decree 206/2005.

The warranty relates to defects of the Products, intending as such material imperfections of the article, such as to affect in a significant way its usability or value, relating to anomalies of the production, manufacturing, formation, conservation process and operating within the limits and according to the terms listed below.

## 10.2 Duration

AGVGROUPO SpA guarantees the Products for one year from the date of delivery.

## 10.3 When it is applied

Without prejudice to the specifications, exclusions or limitations indicated hereunder, or, in any case, purposes of settlement. The defect must be intended as recognised in accordance with the law solely referred to in this contract, the warranty is applied to defects of the Products, as identified according to the definition of article 1490, first paragraph, of the Italian Civil Code.

10.4 Methods, terms and forfeiture of application of warranty rights

On discovery of the defect, the Customer is required to notify AGVGROUPO SpA in writing, attaching a copy of the sales invoice and the order confirmation of reference and accompanying this with photographic documentation of the defect found.

Where possible, the serial number of the defective product must also be provided.

The communication must be received in writing by AGVGROUPO SpA within 8 days of discovery, falling within which the warranty rights will be forfeit. Warranty rights last for one year. Any intervention of the Customer or third parties on the defective product, if not authorised in writing by AGVGROUPO SpA, constitutes a reason of forfeiture of the warranty.

10.5 Exclusions and limitations

Without prejudice to what is specified above, the warranty is excluded if the defect is caused or accentuated by improper use of the Product by the Customer or third parties, or by maintenance which does not conform with the manufacturer's indications, or interventions of any kind, including maintenance, on them which is not performed or not authorised by AGVGROUPO SpA.

The warranty is also excluded:

- if, on communication of the defect, the documents and the information indicated in art. 10.4 are not, attached and provided;

- if the Products have been installed, kept or stored in unsuitable areas for protecting their quality (such as external, damp and poorly aired environments);

- if the Products have not been installed correctly, or have been tampered with, had non-original parts or components or which are not authorised by AGVGROUPO SpA added, have been cleaned with procedures liable to damage them;

- in the case of damages which do not derive from original manufacturing defects and/or the poor quality of the materials used, but which are the consequence of traumatic facts or events for the products, such as, by example only: blows, scratches, dents, cuts, stains caused by external factors, such as dyes, lacquers and cleaning products;

- for damages from wear and tear caused by normal use of the Products;

- if the Products are not used by the parties for whom they are destined and for whom they are manufactured, namely hairdressers, beauticians, beauty salons and beauty farms.

10.6 Specific terms of warranty

The following specific terms of warranty apply, depending on the component or material, as indicated below.

## Pumps:

These are guaranteed for 24 months from the delivery date. For the chairs, the height indicated is always to move chairs with hydraulic pumps by lifting them by the armrests. This operation causes air to enter the pump, causing malfunctioning. In this case, it is necessary to raise the seat up to the maximum height and press the pedal repeatedly to discharge the air and restore normal conditions.

## Skay - Vinyl

Skay/Vinyl, particularly white or light coloured, is not guaranteed against damages which do not derive from traumatic facts or events for the product, such as, by way of example only: blows, scratches, cuts, stains caused by external factors, such as denim/jeans fabric dyes, lacquers and cleaning products. Any difference in the colour shade of articles or products with the same type of Skay may not be considered as an original manufacturing defect.

The cleaning process for synthetic upholstery (SKAY/VINYL) requires use of soapy water to be distributed using a sponge or damp cloth. Chemical products may irreparably damage synthetic upholstery, as may use of cleaning equipment which is too hard or rough. AgvGroup is payment has been agreed, or of all other previous transactions in which the Customer is late with not liable for damages caused by use of these products or equipment. Padded articles may be covered with material supplied by the Customer. We do not guarantee the quality of the finish if the material is supplied by

AGVGROUPO SpA may suspend delivery or fulfilment of the order until payment has taken place, if prior payment has been agreed, or of all other previous transactions in which the Customer is late with not liable for damages caused by use of these products or equipment. Padded articles may be covered with material supplied by the Customer. We do not guarantee the quality of the finish if the material is supplied by

AGVGROUPO SpA may suspend delivery or fulfilment of the order until payment has taken place, if prior payment has been agreed, or of all other previous transactions in which the Customer is late with not liable for damages caused by use of these products or equipment. Padded articles may be covered with material supplied by the Customer. We do not guarantee the quality of the finish if the material is supplied by

AGVGROUPO SpA may suspend delivery or fulfilment of the order until payment has taken place, if prior payment has been agreed, or of all other previous transactions in which the Customer is late with not liable for damages caused by use of these products or equipment. Padded articles may be covered with material supplied by the Customer. We do not guarantee the quality of the finish if the material is supplied by

AGVGROUPO SpA may suspend delivery or fulfilment of the order until payment has taken place, if prior payment has been agreed, or of all other previous transactions in which the Customer is late with not liable for damages caused by use of these products or equipment. Padded articles may be covered with material supplied by the Customer. We do not guarantee the quality of the finish if the material is supplied by

AGVGROUPO SpA may suspend delivery or fulfilment of the order until payment has taken place, if prior payment has been agreed, or of all other previous transactions in which the Customer is late with not liable for damages caused by use of these products or equipment. Padded articles may be covered with material supplied by the Customer. We do not guarantee the quality of the finish if the material is supplied by

AGVGROUPO SpA may suspend delivery or fulfilment of the order until payment has taken place, if prior payment has been agreed, or of all other previous transactions in which the Customer is late with not liable for damages caused by use of these products or equipment. Padded articles may be covered with material supplied by the Customer. We do not guarantee the quality of the finish if the material is supplied by

AGVGROUPO SpA may suspend delivery or fulfilment of the order until payment has taken place, if prior payment has been agreed, or of all other previous transactions in which the Customer is late with not liable for damages caused by use of these products or equipment. Padded articles may be covered with material supplied by the Customer. We do not guarantee the quality of the finish if the material is supplied by

AGVGROUPO SpA may suspend delivery or fulfilment of the order until payment has taken place, if prior payment has been agreed, or of all other previous transactions in which the Customer is late with not liable for damages caused by use of these products or equipment. Padded articles may be covered with material supplied by the Customer. We do not guarantee the quality of the finish if the material is supplied by

AGVGROUPO SpA may suspend delivery or fulfilment of the order until payment has taken place, if prior payment has been agreed, or of all other previous transactions in which the Customer is late with not liable for damages caused by use of these products or equipment. Padded articles may be covered with material supplied by the Customer. We do not guarantee the quality of the finish if the material is supplied by

AGVGROUPO SpA may suspend delivery or fulfilment of the order until payment has taken place, if prior payment has been agreed, or of all other previous transactions in which the Customer is late with not liable for damages caused by use of these products or equipment. Padded articles may be covered with material supplied by the Customer. We do not guarantee the quality of the finish if the material is supplied by

AGVGROUPO SpA may suspend delivery or fulfilment of the order until payment has taken place, if prior payment has been agreed, or of all other previous transactions in which the Customer is late with not liable for damages caused by use of these products or equipment. Padded articles may be covered with material supplied by the Customer. We do not guarantee the quality of the finish if the material is supplied by

AGVGROUPO SpA may suspend delivery or fulfilment of the order until payment has taken place, if prior payment has been agreed, or of all other previous transactions in which the Customer is late with not liable for damages caused by use of these products or equipment. Padded articles may be covered with material supplied by the Customer. We do not guarantee the quality of the finish if the material is supplied by

AGVGROUPO SpA may suspend delivery or fulfilment of the order until payment has taken place, if prior payment has been agreed, or of all other previous transactions in which the Customer is late with not liable for damages caused by use of these products or equipment. Padded articles may be covered with material supplied by the Customer. We do not guarantee the quality of the finish if the material is supplied by

AGVGROUPO SpA may suspend delivery or fulfilment of the order until payment has taken place, if prior payment has been agreed, or of all other previous transactions in which the Customer is late with not liable for damages caused by use of these products or equipment. Padded articles may be covered with material supplied by the Customer. We do not guarantee the quality of the finish if the material is supplied by

AGVGROUPO SpA may suspend delivery or fulfilment of the order until payment has taken place, if prior payment has been agreed, or of all other previous transactions in which the Customer is late with not liable for damages caused by use of these products or equipment. Padded articles may be covered with material supplied by the Customer. We do not guarantee the quality of the finish if the material is supplied by

AGVGROUPO SpA may suspend delivery or fulfilment of the order until payment has taken place, if prior payment has been agreed, or of all other previous transactions in which the Customer is late with not liable for damages caused by use of these products or equipment. Padded articles may be covered with material supplied by the Customer. We do not guarantee the quality of the finish if the material is supplied by

AGVGROUPO SpA may suspend delivery or fulfilment of the order until payment has taken place, if prior payment has been agreed, or of all other previous transactions in which the Customer is late with not liable for damages caused by use of these products or equipment. Padded articles may be covered with material supplied by the Customer. We do not guarantee the quality of the finish if the material is supplied by

AGVGROUPO SpA may suspend delivery or fulfilment of the order until payment has taken place, if prior payment has been agreed, or of all other previous transactions in which the Customer is late with not liable for damages caused by use of these products or equipment. Padded articles may be covered with material supplied by the Customer. We do not guarantee the quality of the finish if the material is supplied by

AGVGROUPO SpA may suspend delivery or fulfilment of the order until payment has taken place, if prior payment has been agreed, or of all other previous transactions in which the Customer is late with not liable for damages caused by use of these products or equipment. Padded articles may be covered with material supplied by the Customer. We do not guarantee the quality of the finish if the material is supplied by

AGVGROUPO SpA may suspend delivery or fulfilment of the order until payment has taken place, if prior payment has been agreed, or of all other previous transactions in which the Customer is late with not liable for damages caused by use of these products or equipment. Padded articles may be covered with material supplied by the Customer. We do not guarantee the quality of the finish if the material is supplied by

AGVGROUPO SpA may suspend delivery or fulfilment of the order until payment has taken place, if prior payment has been agreed, or of all other previous transactions in which the Customer is late with not liable for damages caused by use of these products or equipment. Padded articles may be covered with material supplied by the Customer. We do not guarantee the quality of the finish if the material is supplied by

AGVGROUPO SpA may suspend delivery or fulfilment of the order until payment has taken place, if prior payment has been agreed, or of all other previous transactions in which the Customer is late with not liable for damages caused by use of these products or equipment. Padded articles may be covered with material supplied by the Customer. We do not guarantee the quality of the finish if the material is supplied by

AGVGROUPO SpA may suspend delivery or fulfilment of the order until payment has taken place, if prior payment has been agreed, or of all other previous transactions in which the Customer is late with not liable for damages caused by use of these products or equipment. Padded articles may be covered with material supplied by the Customer. We do not guarantee the quality of the finish if the material is supplied by

AGVGROUPO SpA may suspend delivery or fulfilment of the order until payment has taken place, if prior payment has been agreed, or of all other previous transactions in which the Customer is late with not liable for damages caused by use of these products or equipment. Padded articles may be covered with material supplied by the Customer. We do not guarantee the quality of the finish if the material is supplied by

AGVGROUPO SpA may suspend delivery or fulfilment of the order until payment has taken place, if prior payment has been agreed, or of all other previous transactions in which the Customer is late with not liable for damages caused by use of these products or equipment. Padded articles may be covered with material supplied by the Customer. We do not guarantee the quality of the finish if the material is supplied by

AGVGROUPO SpA may suspend delivery or fulfilment of the order until payment has taken place, if prior payment has been agreed, or of all other previous transactions in which the Customer is late with not liable for damages caused by use of these products or equipment. Padded articles may be covered with material supplied by the Customer. We do not guarantee the quality of the finish if the material is supplied by

AGVGROUPO SpA may suspend delivery or fulfilment of the order until payment has taken place, if prior payment has been agreed, or of all other previous transactions in which the Customer is late with not liable for damages caused by use of these products or equipment. Padded articles may be covered with material supplied by the Customer. We do not guarantee the quality of the finish if the material is supplied by

AGVGROUPO SpA may suspend delivery or fulfilment of the order until payment has taken place, if prior payment has been agreed, or of all other previous transactions in which the Customer is late with not liable for damages caused by use of these products or equipment. Padded articles may be covered with material supplied by the Customer. We do not guarantee the quality of the finish if the material is supplied by

AGVGROUPO SpA may suspend delivery or fulfilment of the order until payment has taken place, if prior payment has been agreed, or of all other previous transactions in which the Customer is late with not liable for damages caused by use of these products or equipment. Padded articles may be covered with material supplied by the Customer. We do not guarantee the quality of the finish if the material is supplied by

AGVGROUPO SpA may suspend delivery or fulfilment of the order until payment has taken place, if prior payment has been agreed, or of all other previous transactions in which the Customer is late with not liable for damages caused by use of these products or equipment. Padded articles may be covered with material supplied by the Customer. We do not guarantee the quality of the finish if the material is supplied by



Apparecchi elettrici ed elettronici - Attrezzature - Arredi  
AGV GROUP S.P.A. - Via Contarella, 17 - 42019 SCANDIANO - REGGIO EMILIA - Italy  
Tel. ++39 0522.856185 r.a. - Fax ++39 0522.983197 r.a. - e-mail: info@agv-group.com - sito web: www.agv-group.com  
Cod.Fisc. e Iscr.Reg.Imprese di RE 01135260352 - Partita IVA 01135260352  
Iscritta al R.E.A. C.C.I.A.A. di RE 161476 - Cap.Soc. € 200.000,00 i.v.  
Iscr. al Reg. Nazionale Sistemi di Gestione RAEE presso CCAA RE del 31 Marzo 2008 al Numero IT08030000004650

